

MULTICONTACT CONNECTORS

7 CONTACTS

25 A

PN7C



7 CONTACTS

50 A/100 A

DS7C3/6



9 CONTACTS

30 A

DN9C



12 CONTACTS

16 A

PN12C



MODEL

MAX NB OF CONTACTS

CURRENT

U MAX
AC

PN7C

6+E (screw-type)

25 A

500 V

DS7C3

6+E (screw-type)

50 A

500 V

DS7C6

6+E (screw-type)

100 A

500 V

DN9C

8+E (screw-type)

30 A

415 V

PN12C

11+E (welding/crimping)

16 A

480 V

DSN12C

11+E (welding/crimping)

16 A

480 V

DN20C

19+E (screw-type)

25 A

415 V

DSN24C

23+E (welding/crimping)

16 A

480 V

DSN37C

36+E (welding/crimping)

16 A

480 V

DOWNLOAD ALL TECHNICAL SHEETS ON OUR WEBSITE MARECHAL.COM

SELECTION GUIDE

12 CONTACTS
16 A

DSN12C



20 CONTACTS
25 A

DN20C



24 CONTACTS
16 A

DSN24C



37 CONTACTS
16 A

DSN37C



MULTICONTACT



MATERIAL	IP	EMC	IK	PAGE
POLY METAL	IP66/IP67	Yes (metal)	IK09	144
METAL	IP66/IP67	Yes	IK09	148
POLY METAL	IP66/IP67	Yes (metal)	IK09	152
METAL	IP54/IP55	Yes	IK09	156
POLY METAL	IP66/IP67	Yes (metal)	IK09	160
POLY	IP66/IP67	/	IK09	164
METAL	IP54/IP55	/	IK09	168
POLY	IP66/IP67	/	IK09	172
POLY	IP66/IP67	/	IK09	176






CRIMPING CONTACTS

FOR PN12C/DSN12C/DSN24C/DSN37C

ECONOMIC AND TECHNICAL ADVANTAGES

Crimping ensures an economical and sustainable solution through installation time saving and quality of connection.

- No need for soldering performance qualifications.
- High resistance to vibrations.
- Handling more than 5000 operations: a high durability and quality of connection guaranteed.

ACCESSORIES AND OPTIONS	DESIGNATION	REFERENCE
	Bag of 13 females contacts	01AA213
	Bag of 13 males contacts	01AA113 (PN12C/DSN12C) 61CA113 (DSN24C/DSN37C)
	Multi-Contact removal tool	61CA593
	European crimping tool	61CA500
	Helavia sleeve expansion tool	61CA400
	Bag of 13 heat shrink insulation sleeves	61CA083

FAST WIRING

- Cable conductors: 1 mm² to 2,5 mm²
- Before wiring, add a heat-shrink sleeve or insulating sleeve on each conductor.
- After wiring, cover the visible portion of the contact with the sleeve.
- Crimp the contact with a KNIPEX crimping tool P/N° 61CA500 or a GREENLEE crimping tool P/N° 45505.
- Use the 4 mm² footprint whatever the conductor cross-section.
- Perform double crimping in compliance with NF C 20-130 and CEI 60352-2 standards.
- Conductors can equally be soldered.

INFOS +

Leaving 2 contacts unused can give 9 different keying positions (on socket outlet side or mobile plug side) using the two specific stopping plugs supplied.

SIMPLE ASSEMBLY AND DISASSEMBLY

ASSEMBLY

To insert contacts when they have been wired is simple. Push wired contact into rear of insulator until it stops to complete the installation.

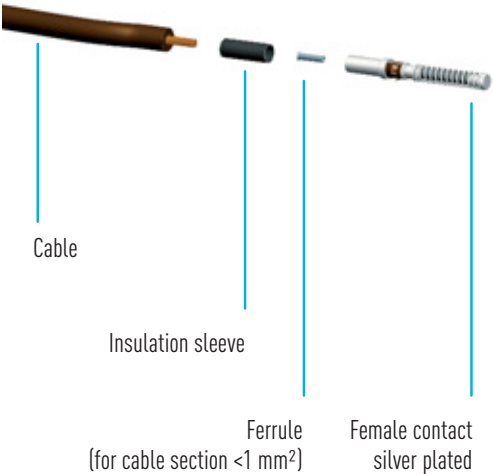


DISASSEMBLY

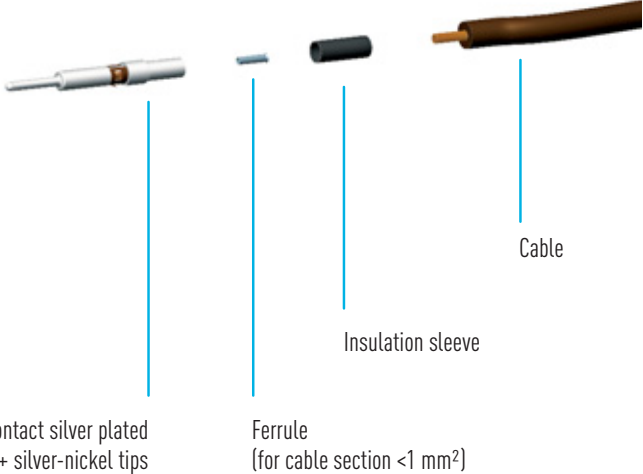
To remove, use the tool provided. Push tool from front onto contact until tool stops. Contact is then released at rear of insulator.



Socket-outlet side



Connector side



7 CONTACTS

25 A

500 V
U_{MAXI}

MULTICONTACTS CONNECTORS PN7C



IP66
IP67



1-4 mm² (1)
1-6 mm² (2)



GRP
METAL



IK09



-40 °C
+60 °C



EMC
METAL

(1) Flexible wiring (min.-max.).
(2) Stranded wiring (min.-max.).

OTHER FEATURES

∑ of currents (contacts)	≤ 130 A
Terminals wiring	screw-type



SOCKET-OUTLET
female
PN7c



INLET male
PN7c



GRP devices are not compatible with metal devices.

50 V AC	6P (16 A)	01P4060	01P8060
50 V AC	7P (16 A)	01P4070	01P8070
500 V AC	5P+E (25 A)	01P4051	01P8051
500 V AC	6P+E (16 A)	01P4061	01P8061



SOCKET-OUTLET
female
PN7c



INLET male
PN7c



For a black colour GRP housing replace the second reference character with 5.

50 V AC	6P (16 A)	09P4060	09P8060
50 V AC	7P (16 A)	09P4070	09P8070
480 V AC	5P+E (25 A)	09P4051	09P8051
480 V AC	6P+E (16 A)	09P4061	09P8061






OPTIONS	Reference
LOCKING FOR 1 PADLOCK Ø 4 mm (WITHOUT SHAFT)	
	Ref. + 843
SCREW LOCKING IMPRINT BTR 2,5	
	Ref. + 22
INLET CAP IP66/IP67	
	01NA426
REVERSED INTERIOR AND CONTACTS	
 The connector is supplied with a rubber inlet cap.	Ref. conn. + 001 Ref. socket + 001
180° OPENING LID	
	Ref. socket + 10
IP40 SELF RETURNING LID (MANUAL CLOSING)	
	Socket-outlet ref.+R
180° OPENING + SELF-RETURNING LID	
	Ref. socket + 18
ELECTROMAGNETIC COMPATIBILITY (EMC) ● NEW	
 Please order a metal threaded accessory herewith, together with a EMC cable gland to be found on page 318.	




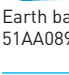


PRODUCTS AVAILABLE IN BLACK ●

The black dot means these products are also available in black color. Replace the second character of the product reference with 5

PRODUCT WITH ANTI-BACTERIAL TREATMENT ● **NEW**

This sticker means that the product is also available with an antibacterial treatment. Add the suffix AG to the reference. For more information on anti-bacterial treated handles please consult us.

SLEEVE	∠x°	Reference
POLY SLEEVE ●		
	30°	511M3
	70°	511M7
METAL SLEEVE ●		
	0° (Straight)	591M0
	30°	591M3
	45°	591M4

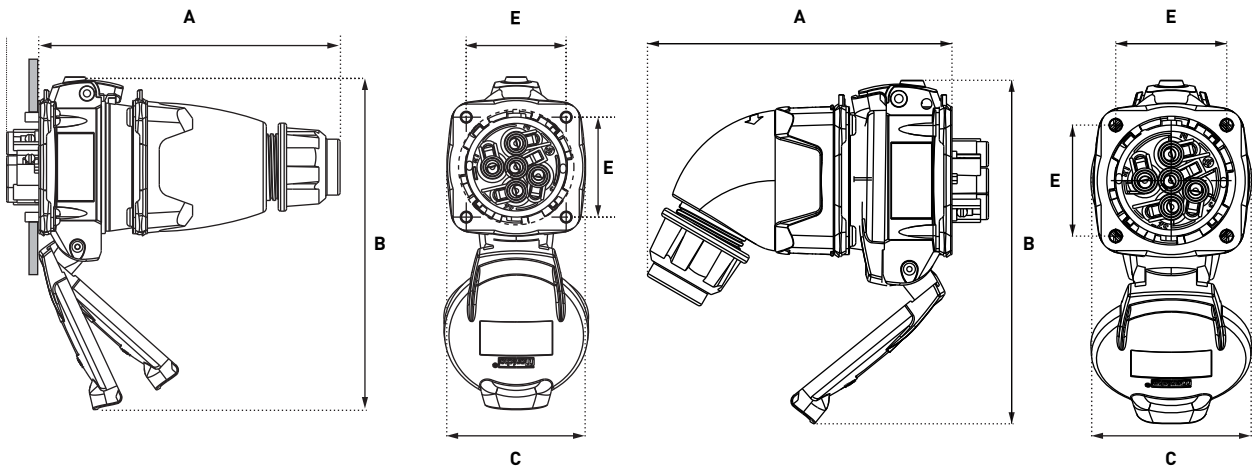
BOXES	∠x°	Input	Ref.
POLY BOX ●			
	0° (Straight)	M20	511B0M20
	0° (Straight)	M25	511B0M25
	30°	M20	511B3M20
	30°	M25	511B3M25
POLY BOX + POLY SLEEVE			
	70°	Without hole	511C7000
	70°	Hole Ø 20	511C7M20
	70°	Hole Ø 25	511C7M25
	70°	Hole Ø 32	511C7M32
Earth bar ref. : 51AA089			
METAL BOX (+ EARTHING WIRE) + POLY SLEEVE			
	30°	M20	511C3M20
METAL BOX (+ EARTHING WIRE) + METAL SLEEVE ●			
	45°	M20	591C4M20
	45°	M25	591C4M25
	45°	M32	591C4M32

Cable glands are not delivered with the boxes.

HANDLE	Input/ Cable outer Ø	Ref.
POLY HANDLE WITH GLAND ● ●		
	9-18 mm	511P0D18
	5-21 mm	511P0D21
	9-18 mm	511P6D18
POLY HANDLE + POLY CABLE GLAND ● ●		
	5-12 mm	511P020P
	9-18 mm	511P025P
	14-25 mm	511P032P
METAL HANDLE WITH METAL GLAND (+ EARTHING WIRE)		
	7-13 mm	591P020M
	8-16 mm	591P025M
	16-24 mm	591P032M
POLY HANDLE (WITHOUT CABLE GLAND) ●		
	M20	511P0M20
	M25	511P0M25
	M32	511P0M32
METAL HANDLE METRIC THREAD ENTRY (WITHOUT CABLE GLAND) ●		
	M20	591P0M20
	M25	591P0M25
	M32	591P0M32

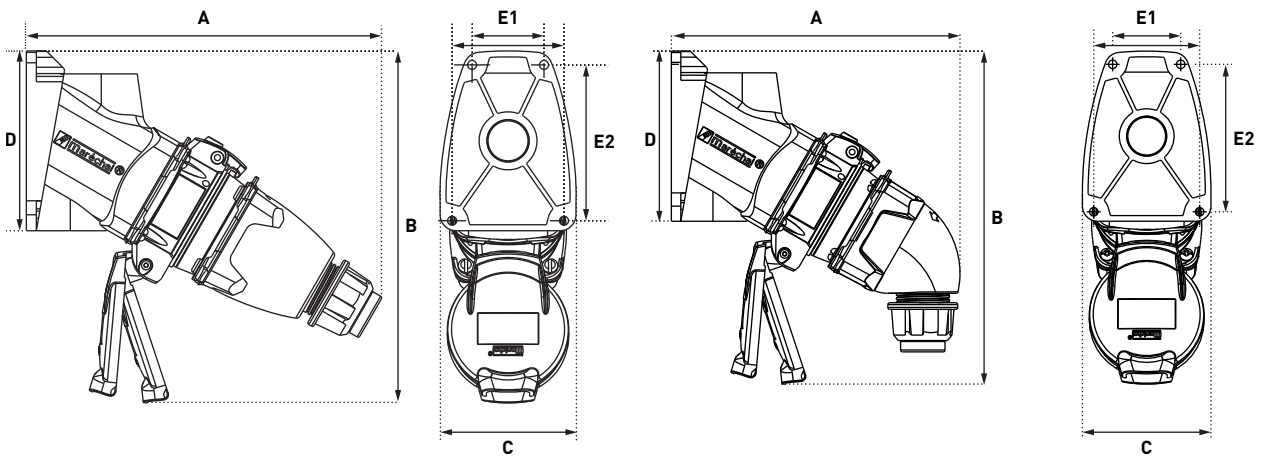
DRAWINGS AND DIMENSIONS

PLUG ON SOCKET-OUTLET



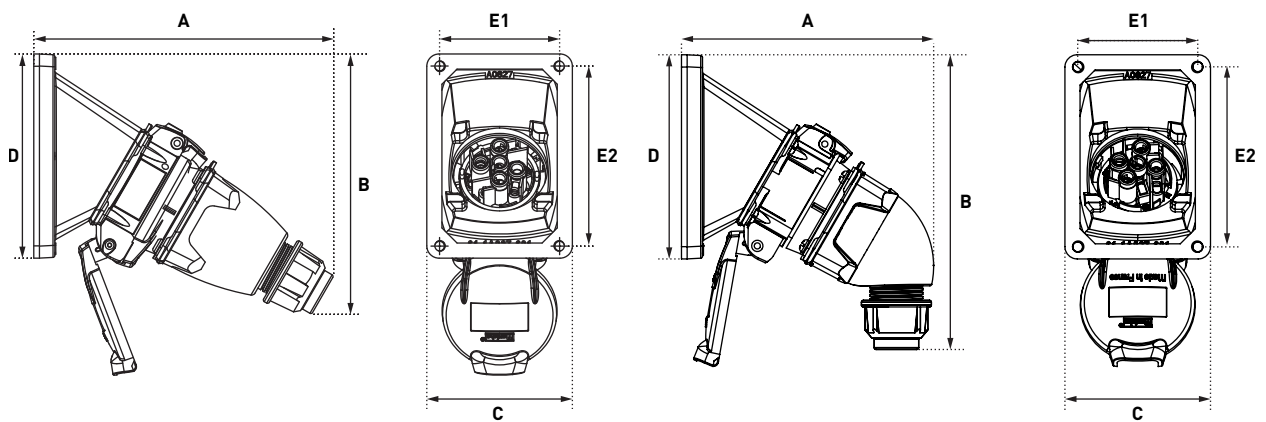
	A	B	C	E
Straight handle	127	140	58	42
Angled handle	117	138	61	42

PLUG ON 30° WALL MOUNTED SOCKET OUTLET



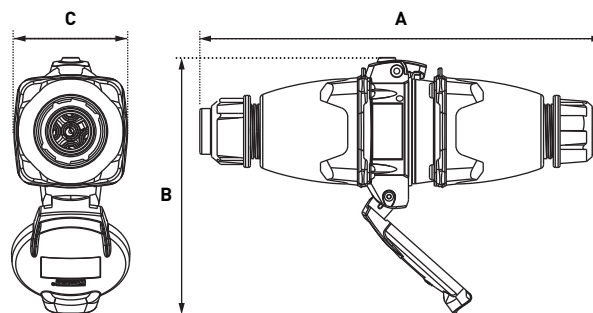
	A	B	B	D	E1	E2
Straight handle	178	176	68	90	36/56	78
Angled handle	153	176	68	90	36/56	78

PLUG ON 30° INCLINED SOCKET-OUTLET



	A	B	C	D	E1	E2
Straight handle	160	170	77	108	63	95
Angled handle	133	165	77	108	63	95

COUPLER



	A	B	C
Straight handle	208	132	58

7 CONTACTS

50 A

500 V
U_{MAXI}

DECONTACTOR™ DS7C3



IP66
IP67



2,5-6 mm² (1)
2,5-10 mm² (2)



GRP
METAL



IK09



-40 °C
+60 °C



AC-22
AC-23



60309-1
60309-4
60947-3



3 AUX.



EMC
METAL

(1) Flexible wiring (min.-max.).
(2) Stranded wiring (min.-max.).

LOAD-BREAK CAPABILITY OF THE DECONTACTOR™

Comply with IEC/EN 60309-1 standards	50A/500 V
Load-break capability according to IEC/EN 60947-3/AC-22	50A/500 V

OTHER FEATURES

Terminals wiring	screw-type
Flexible and stranded wiring (min.-max.)	2,5-10 mm ²



SOCKET-OUTLET
female
DS7c3



INLET male
DS7c3



50 A/max 500 V AC	6P+E	3134561	3138561
50 A/max 500 V AC Auxiliaries 10 A/400 V	6P+E+3 aux.	3134561972	3138561972












SOCKET-OUTLET
female
DS7c3




INLET male
DS7c3










50 A/max 500 V AC	6P+E	3934561	3938561
50 A/max 500 V AC Auxiliaries 10 A/400 V	6P+E+3 aux.	3934561972	3938561972




OPTIONS	Reference
LOCKING PIN FOR 2 PADLOCKS Ø 4 TO 8 mm (PADLOCKS NOT SUPPLIED)	
	Socket-outlet ref. +843
SAFETY HASP FOR UP TO 6 PADLOCKS	
	399A541
LARGER RELEASE BUTTON	
	Ref. socket +453
INLET CAP IP66/IP67	
	316A426
IN-LINE CONNECTIONS (A PAIR OF FINGER DRAW PLATES TO AID CLOSING)	
	316A346
IP40 SELF RETURNING LID (MANUAL CLOSING)	
	Ref. socket poly + R
IP55 METAL LOCKABLE SELF-CLOSING LID FOR INLET	
	396A226
ELECTROMAGNETIC COMPATIBILITY (EMC) ●	NEW
	Please order a metal threaded accessory herewith, together with a EMC cable gland to be found on page 318.
SELF-EJECTION	
	See page 192

HANDLE	Input/Cable outer Ø	Reference	Self-ejection
ELASTOMER HANDLE WITH GLAND			
	18-25 mm	554P0D25L	Ref. +443
	25-35 mm	554P0D35L	Ref. +443
	35-45 mm	554P0D45L	Ref. +443
	45-49 mm	554P0D49L	Ref. +443
POLY HANDLE WITH GLAND			
	13-35 mm	514P0D35	/
POLY HANDLE + POLY CABLE GLAND			
	14-25 mm	514P032P	Ref. +443
	18-32 mm	514P040P	Ref. +443
	24-38 mm	514P050P	Ref. +443
POLY HANDLE (WITHOUT CABLE GLAND)			
	M32	514P0M32	Ref. +443
	M40	514P0M40	Ref. +443
	M50	514P0M50	/
METAL HANDLE METRIC THREAD ENTRY (WITHOUT CABLE GLAND) ●			
	M25	594P0M25	/
	M32	594P0M32	/
	M40	594P0M40	/
	M50	594P0M50	/

HANDLE	Input/Cable outer Ø	Reference
METAL HANDLE WITH METAL GLAND (+ EARTHING WIRE) ●		
	8-16 mm	594P025M
	16-24 mm	594P032M
	22-32 mm	594P040M
	34-44 mm	594P050M

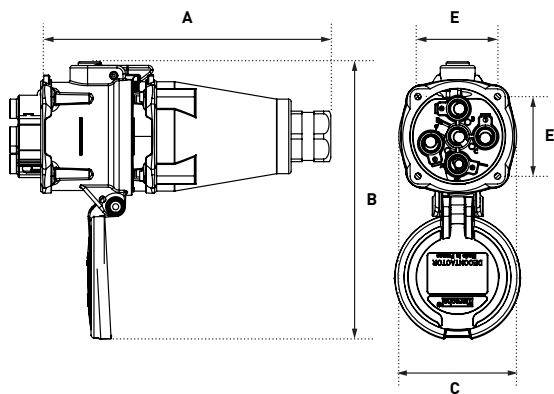
BOXES	△ x°	Input	Reference
POLY BOX			
	30°	M32	514B3M32
	30°	M40	514B3M40
METAL BOX (+ EARTHING WIRE) ●			
	20°	M25	594B2M25
	20°	M32	594B2M32
	20°	M40	594B2M40
POLY BOX + POLY SLEEVE			
	70°	Without hole	514C7000
	70°	Ø 32 mm drill hole	514C7M32
Earth bar ref. : 51AA089	70°	Ø 40 mm drill hole	514C7M40
METAL BOX (+ EARTHING WIRE) + POLY SLEEVE			
	30°	M25	514C3M25
	30°	M32	514C3M32
	30°	M40	514C3M40
	30°	M50	514C3M50
METAL BOX (+ EARTHING WIRE) + METAL SLEEVE ●			
	30°	M25	594C3M25
	30°	M32	594C3M32
	30°	M40	594C3M40
	30°	M50	594C3M50
	0° (Straight)	M25	594C0M25
	0° (Straight)	M32	594C0M32
	0° (Straight)	M40	594C0M40
	0° (Straight)	M50	594C0M50
	70°	M25	594C7M25
	70°	M32	594C7M32
	70°	M40	594C7M40
	70°	M50	594C7M50

Cable glands are not delivered with the boxes.

SLEEVE	△ x°	Reference	
		POLY	METAL ●
	0° (Straight)	/	594M0
	30°	514M3	594M3
	70°	514M7	594M7

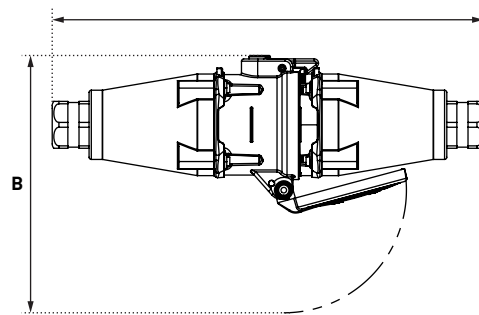
DRAWINGS AND DIMENSIONS

PLUG ON SOCKET-OUTLET



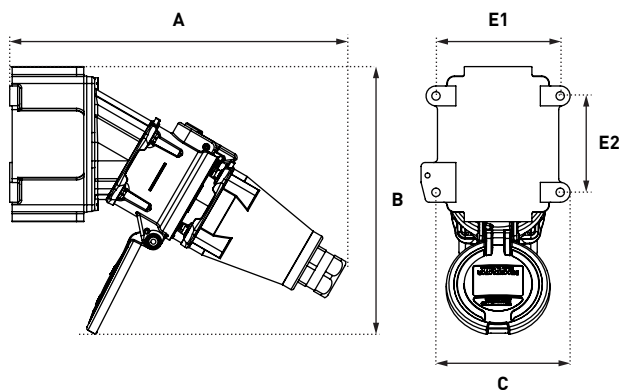
A	B	C	E
203	175	95	66

COUPLER



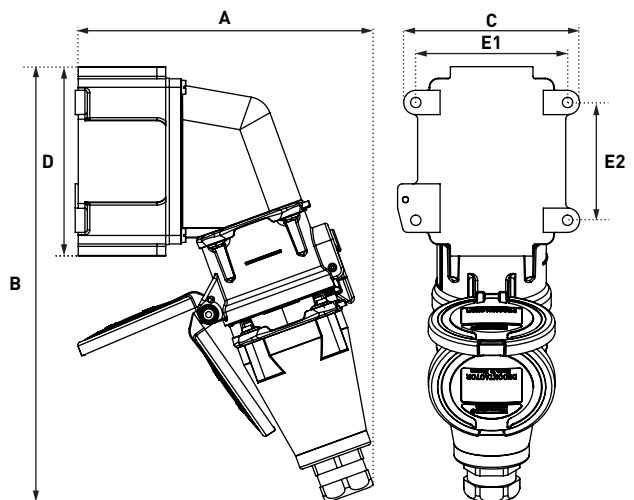
A	B
309	127

PLUG ON 30° WALL MOUNTED SOCKET OUTLET



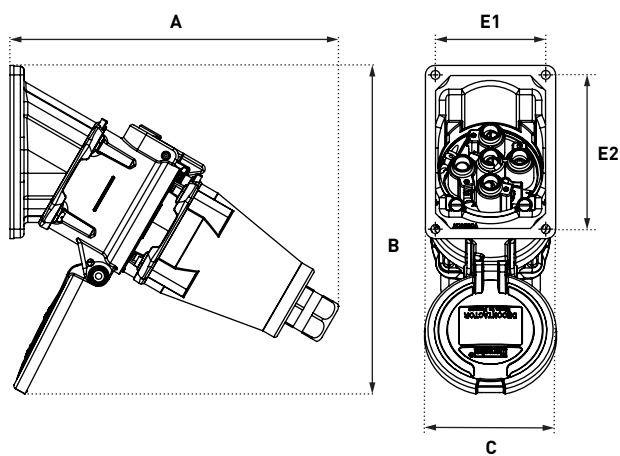
A	B	C	E1	E2
260	260	105	88	122

PLUG ON 70° WALL-MOUNTED SOCKET-OUTLET



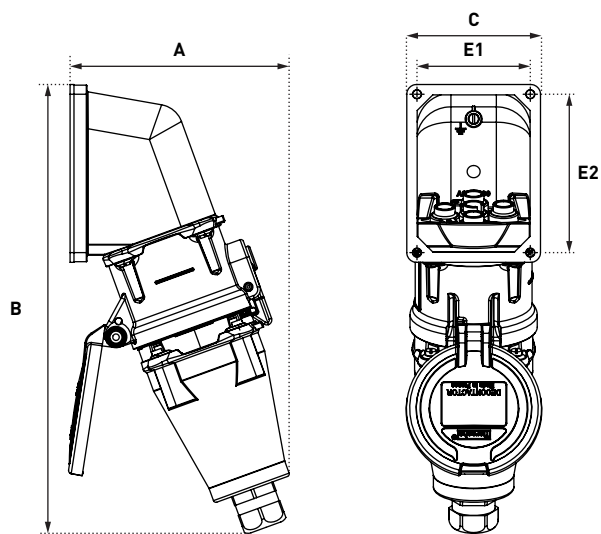
A	B	C	D	E1	E2
242	333	178	166	157	146

PLUG ON 30° INCLINED SOCKET-OUTLET



A	B	C	D	E1	E2
279	257	102	136	88	122

PLUG ON 70° INCLINED SOCKET-OUTLET



A	B	C	E1	E2
169	346	104	88	88



7 CONTACTS

100 A

500 V
U_{MAXI}

CONNECTOR DS7C6



IP66
IP67



10-25 mm² (1)
10-35 mm² (2)



GRP
METAL



IK09



-40 °C
+60 °C



6 AUX.



EMC
METAL

(1) Flexible wiring (min.-max.).
(2) Stranded wiring (min.-max.).

OTHER FEATURES

Terminals wiring	screw-type
Stranded or flexible auxiliary wiring (min.-max.)	2 mm ²



Finger drawplates
included



SOCKET-OUTLET
female
DS7c6



INLET male
DS7c6



100 A/max 500 V AC	6P+E	3164561	3168561
Auxiliaries 10A/500 V AC	+ 2 contacts	Ref. + 262	Ref. + 262
Auxiliaries 10A/500 V AC	+ 4 contacts	Ref. + 264	Ref. + 264
Auxiliaries 10A/500 V AC	+ 6 contacts	Ref. + 976	Ref. + 976





SOCKET-OUTLET
female
DS7c6









INLET male
DS7c6










100 A/max 500 V AC	6P+E	3964561	3968561
Auxiliaries 10A/500 V AC	+ 2 contacts	Ref. + 262	Ref. + 262
Auxiliaries 10A/500 V AC	+ 4 contacts	Ref. + 264	Ref. + 264
Auxiliaries 10A/500 V AC	+ 6 contacts	Ref. + 976	Ref. + 976




OPTIONS	Reference
LOCKING PIN FOR 2 PADLOCKS Ø 4 TO 8 mm (PADLOCKS NOT SUPPLIED)	
 Socket-outlet ref. +843	
SAFETY HASP FOR UP TO 6 PADLOCKS	
 399A541	
LARGER RELEASE BUTTON	
 Ref. socket +453	
INLET CAP IP66/IP67	
 316A426	
IP40 SELF RETURNING LID (MANUAL CLOSING)	
 Ref. socket poly + R	
IP55 METAL LOCKABLE SELF-CLOSING LID FOR INLET	
 396A226	
ELECTROMAGNETIC COMPATIBILITY (EMC) ● NEW	
 Please order a metal threaded accessory herewith, together with a EMC cable gland to be found on page 318.	

HANDLE	Input/ Cable outer Ø	Reference
ELASTOMER HANDLE WITH GLAND		
	18-25 mm	554P0D25L
	25-35 mm	554P0D35L
	35-45 mm	554P0D45L
	45-49 mm	554P0D49L
POLY HANDLE WITH GLAND		
	13-35 mm	514P0D35
POLY HANDLE + POLY CABLE GLAND		
	14-25 mm	514P032P
	18-32 mm	514P040P
	24-38 mm	514P050P
POLY HANDLE (WITHOUT CABLE GLAND)		
	M32	514P0M32
	M40	514P0M40
	M50	514P0M50
METAL HANDLE METRIC THREAD ENTRY (WITHOUT CABLE GLAND) ●		
	M25	594P0M25
	M32	594P0M32
	M40	594P0M40
	M50	594P0M50

HANDLE	Input/Cable outer Ø	Reference
METAL HANDLE WITH METAL GLAND (+ EARTHING WIRE) ●		
	8-16 mm	594P025M
	16-24 mm	594P032M
	22-32 mm	594P040M
	34-44 mm	594P050M

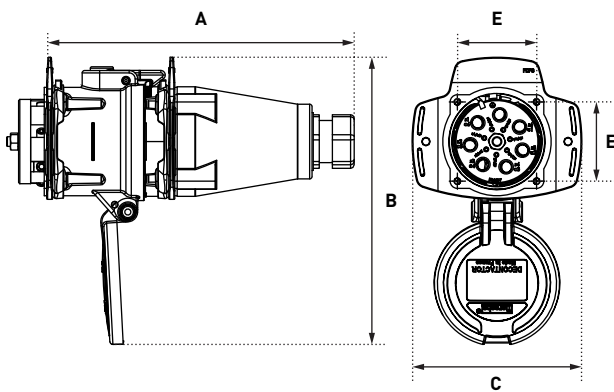
BOXES	∠ x°	Input	Reference
POLY BOX			
	30°	M32	514B3M32
	30°	M40	514B3M40
METAL BOX (+ EARTHING WIRE) ●			
	20°	M25	594B2M25
	20°	M32	594B2M32
	20°	M40	594B2M40
POLY BOX + POLY SLEEVE			
	70°	Without hole	514C7000
	70°	Ø 32 mm drill hole	514C7M32
Earth bar ref. : 51AA089	70°	Ø 40 mm drill hole	514C7M40
METAL BOX (+ EARTHING WIRE) + POLY SLEEVE			
	30°	M25	514C3M25
	30°	M32	514C3M32
	30°	M40	514C3M40
	30°	M50	514C3M50
METAL BOX (+ EARTHING WIRE) + METAL SLEEVE ●			
	30°	M25	594C3M25
	30°	M32	594C3M32
	30°	M40	594C3M40
	30°	M50	594C3M50
	0° (Straight)	M25	594C0M25
	0° (Straight)	M32	594C0M32
	0° (Straight)	M40	594C0M40
	0° (Straight)	M50	594C0M50
	70°	M25	594C7M25
	70°	M32	594C7M32
	70°	M40	594C7M40
	70°	M50	594C7M50

Cable glands are not delivered with the boxes.

SLEEVE	∠ x°	Reference	
		POLY	METAL ●
	0° (Straight)	/	594M0
	30°	514M3	594M3
	70°	514M7	594M7

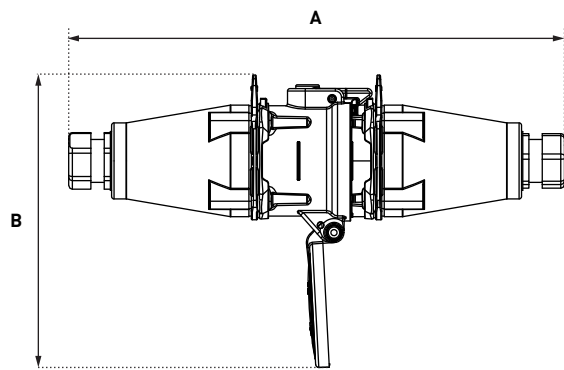
DRAWINGS AND DIMENSIONS

PLUG ON SOCKET-OUTLET



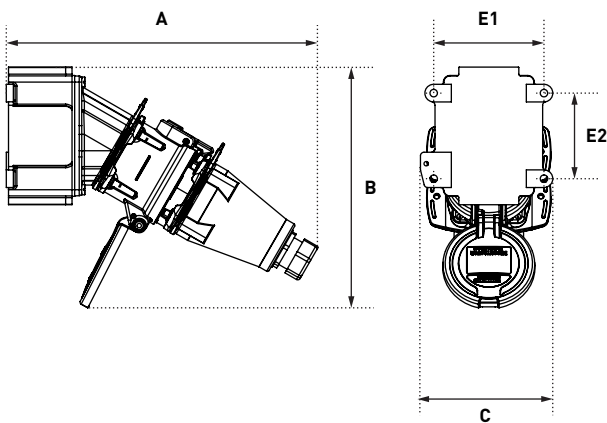
A	B	C	E
257	238	141	66

COUPLER



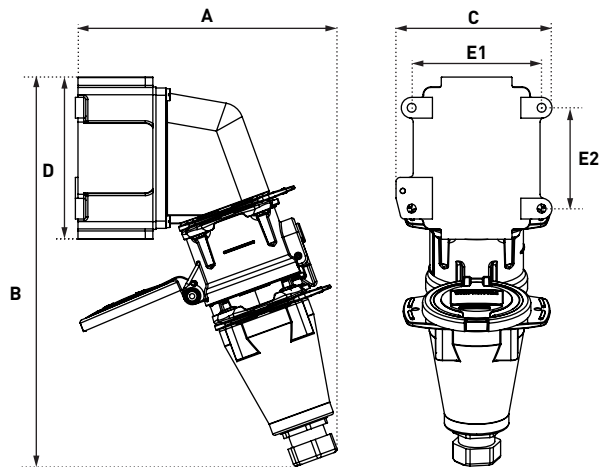
A	B
404	238

PLUG ON 30° WALL MOUNTED SOCKET OUTLET



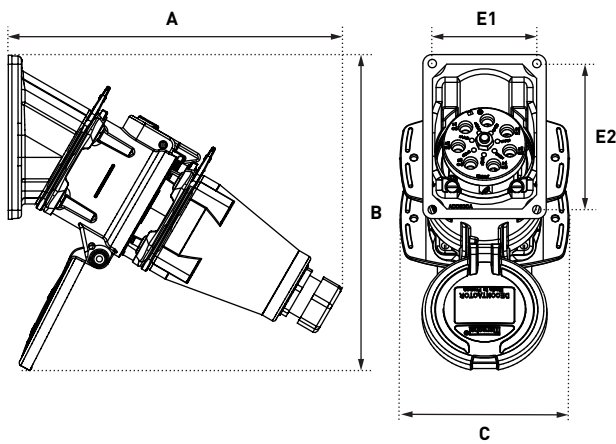
A	B	C	E1	E2
353	273	150	125	97

PLUG ON 70° WALL-MOUNTED SOCKET-OUTLET



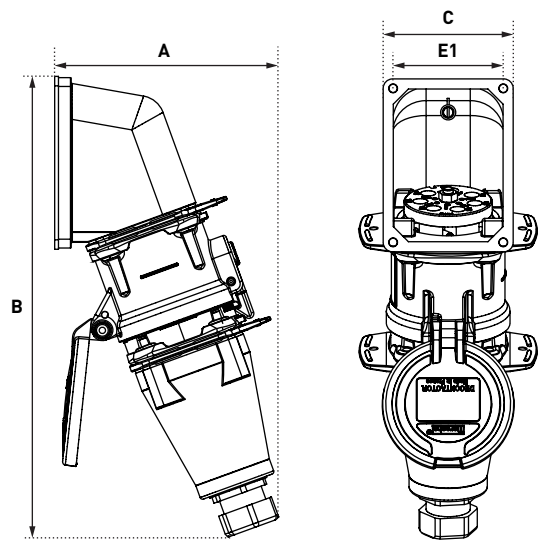
A	B	C	D	E1	E2
252	374	145	156	125	97

PLUG ON 30° INCLINED SOCKET-OUTLET

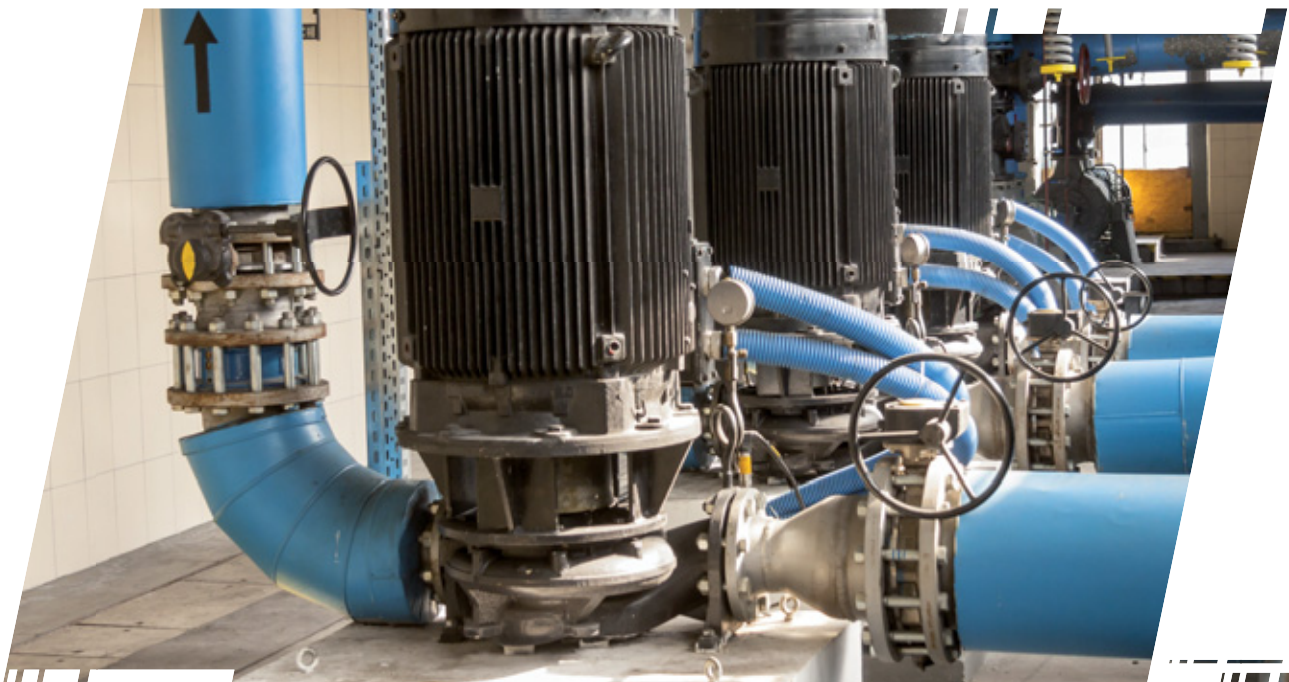


A	B	C	E1	E2
278	263	141	87	122

PLUG ON 70° INCLINED SOCKET-OUTLET



A	B	C	E1	E2
177	365	141	87	122



9 CONTACTS

30 A

415 V
U_{MAXI}

MULTICONTACTS CONNECTORS DN9C



IP54
IP55



1-6 mm² ⁽¹⁾
1,5-10 mm² ⁽²⁾



METAL



IK09



-40 °C
+60 °C



EMC

⁽¹⁾ Flexible wiring (min.-max.).
⁽²⁾ Stranded wiring (min.-max.).

OTHER FEATURES

IP protection plug connected	IP54
IP protection lid closed	IP55
∑ of currents (contacts)	≤ 210 A
Terminals wiring	screw-type

SOCKET-OUTLET
female
DN9c



INLET male
DN9c



415 V AC






8P+E


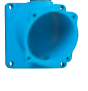




1914081

1918081


► The contacts can be assigned either power or signal.

OPTIONS	Reference
LOCKING PIN FOR 3 PADLOCKS Ø 4 TO 8 mm (PADLOCKS NOT SUPPLIED)	
	Ref. + 844
LARGER RELEASE BUTTON	
	Ref. socket + 453
INLET CAP	
	191A126
180° OPENING LID	
	Ref. socket + 10
IP40 SELF RETURNING LID (MANUAL CLOSING)	
	Socket-outlet ref.+R
180° OPENING + SELF-RETURNING LID	
	Ref. socket + 18
IP66/IP67 SOCKET-OUTLET AND INLET	
	Ref. + 600
ELECTROMAGNETIC COMPATIBILITY (EMC) ●	NEW
	Please order a metal threaded accessory herewith, together with a EMC cable gland to be found on page 318.
PRODUCT WITH ANTI-BACTERIAL TREATMENT ●	NEW
	This sticker means that the product is also available with an antibacterial treatment. Add the suffix AG to the reference. For more information on anti-bacterial treated handles please consult us.

HANDLE	Input/ Cable outer Ø	Ref.
POLY HANDLE WITH GLAND ●		
	10-30 mm	513P0D30
POLY HANDLE + POLY CABLE GLAND ●		
	9-18 mm	513P025P
	14-25 mm	513P032P
	18-32 mm	513P040P
METAL HANDLE WITH METAL GLAND (+ EARTHING WIRE)		
	7-13 mm	593P020M
	8-16 mm	593P025M
	16-24 mm	593P032M
	22-32 mm	593P040M
POLY HANDLE (WITHOUT CABLE GLAND)		
	M20	513P0M20
	M25	513P0M25
	M32	513P0M32
	M40	513P0M40
METAL HANDLE METRIC THREAD ENTRY (WITHOUT CABLE GLAND) ●		
	M20	593P0M20
	M25	593P0M25
	M32	593P0M32
	M40	593P0M40

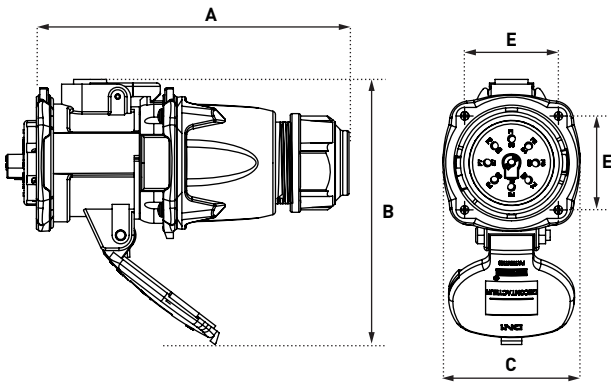
BOÎTIERS	∠x°	Input	Ref.
POLY BOX			
	30°	M25	513B3M25
METAL BOX (+ EARTHING WIRE) ●			
	20°	M20	593B2M20
	20°	M25	593B2M25
	20°	M32	593B2M32
POLY BOX + POLY SLEEVE			
	70°	Without hole	513C7000
	70°	Ø 25 mm drill hole	513C7M25
	70°	Ø 32 mm drill hole	513C7M32
	70°	Ø 40 mm drill hole	513C7M40
Earth bar ref. : 51AA089			
METAL BOX (+ EARTHING WIRE) + POLY SLEEVE			
	30°	M20	513C3M20
	30°	M25	513C3M25
	30°	M32	513C3M32
	30°	M40	513C3M40
METAL BOX (+ EARTHING WIRE) + METAL SLEEVE ●			
	30°	M20	593C3M20
	30°	M25	593C3M25
	30°	M32	593C3M32
	30°	M40	593C3M40
	0° (Straight)	M20	593C0M20
	0° (Straight)	M25	593C0M25
	0° (Straight)	M32	593C0M32
	0° (Straight)	M40	593C0M40
	70°	M20	593C7M20
	70°	M25	593C7M25
	70°	M32	593C7M32
	70°	M40	593C7M40

Cable glands are not delivered with the boxes.

SLEEVE	∠x°	Ref.
POLY SLEEVE		
	30°	513M3
	70°	513M7
METAL SLEEVE ●		
	0° (Straight)	593M0
	30°	593M3
	70°	593M7

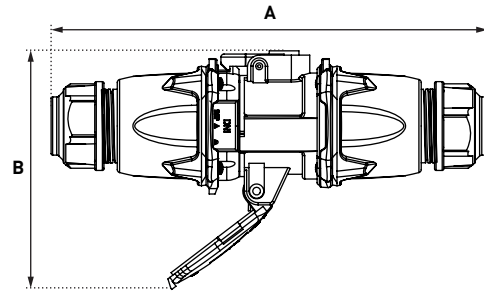
DRAWINGS AND DIMENSIONS

PLUG ON SOCKET-OUTLET



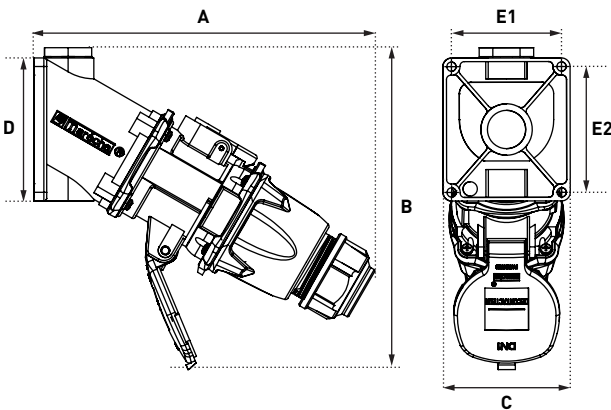
A	B	C	E
184	156	80	55

COUPLER



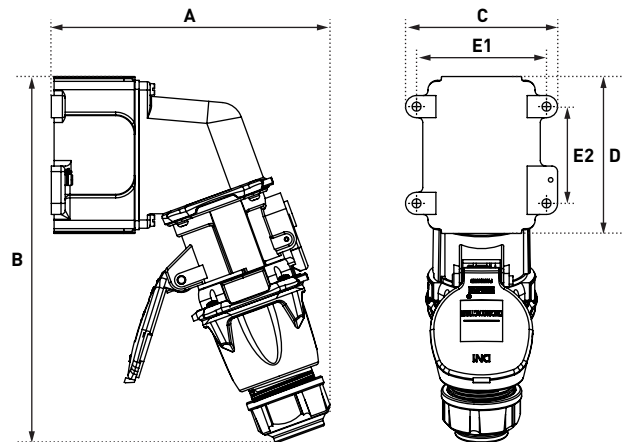
A	B
285	156

PLUG ON 30° WALL MOUNTED SOCKET OUTLET



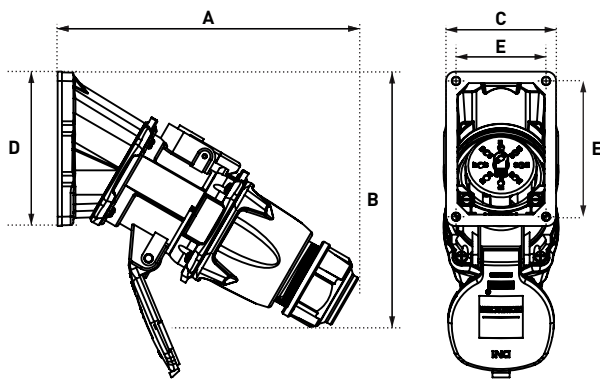
A	B	C	D	E1	E2
239	218	89	100	77	88

PLUG ON 70° WALL-MOUNTED SOCKET-OUTLET

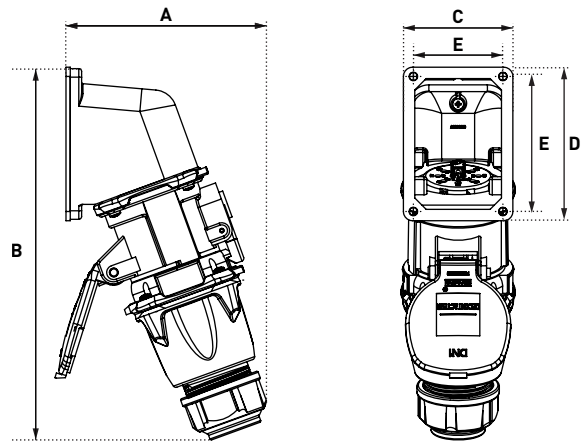


A	B	C	D	E1	E2
200	265	110	114	94	70

PLUG ON 30° INCLINED SOCKET-OUTLET



PLUG ON 70° INCLINED SOCKET-OUTLET



A	B	C	D	E1	E2
210	176	77	108	63	95

A	B	C	D	E1	E2
141	262	77	108	63	95



12 CONTACTS

16 A

480 V
U_{MAXI}

MULTICONTACT CONNECTORS PN12C



IP66
IP67



1-2,5 mm² (1)



GRP
METAL



IK09



-40°C
+60°C



EMC
METAL

(1) Flexible wiring (min.-max.).

OTHER FEATURES

Impulse withstand voltage	5 kV
Contact resistance	<2 mΩ
Permitted current range	4-20 mA/16 A
∑ of currents (contacts)	≤ 110 A
Terminals wiring	To weld/crimp
Butt contacts	Silver-nickel tips
Contact protection	Silvering
Load cycles	> 5000 cycles
Vibrations	Frequency 5-1000 Hz, 1g/(90 minutes on each critical frequency) according to IEC 6068-2-6



For a black colour GRP housing replace the second reference character with 5 (GRP version only).

SOCKET-OUTLET

female
PN12C



INLET male
PN12C



GRP devices are not compatible with metal devices.

POLY	480 V AC	12 contacts	01A4001	01A8001
METAL	480 V AC	12 contacts	09A4001	09A8001

► Each product is supplied with 1 bag of 13 contacts, supplied with insulation sleeves and ferrules (see p.142 or the accessories page for more details).

OPTIONS	Reference
LOCKING OPTION FOR 1 PADLOCKS Ø 4mm (PADLOCK NOT SUPPLIED)	
	Ref. + 843
SCREW LOCKING IMPRINT BTR 2,5	
	Ref. + 22
INLET CAP IP66/IP67	
	01NA426
REVERSED INTERIOR AND CONTACTS	
 The connector is supplied with a rubber inlet cap.	Ref. conn. + 001 Ref. socket + 001
180° OPENING LID	
	Ref. socket + 10
IP40 SELF RETURNING LID (MANUAL CLOSING)	
	Socket-outlet ref.+R
180° OPENING + SELF-RETURNING LID	
	Ref. socket + 18

ELECTROMAGNETIC COMPATIBILITY (EMC) ●

NEW



Please order a metal threaded accessory herewith, together with a EMC cable gland to be found on page 318.

BAG OF 13 FEMALES CONTACTS

01AA213

BAG OF 13 MALES CONTACTS

01AA113






PRODUCTS AVAILABLE IN BLACK ●




The black dot means these products are also available in black color. Replace the second character of the product reference with 5

PRODUCT WITH ANTI-BACTERIAL TREATMENT ●

















NEW

This sticker means that the product is also available with an antibacterial treatment. Add the suffix AG to the reference. For more information on anti-bacterial treated handles please consult us.

SLEEVE	$\angle x^\circ$	Reference
POLY SLEEVE ●		
	30°	511M3
	70°	511M7
METAL SLEEVE ●		
	0° (Straight)	591M0
	30°	591M3
	45°	591M4

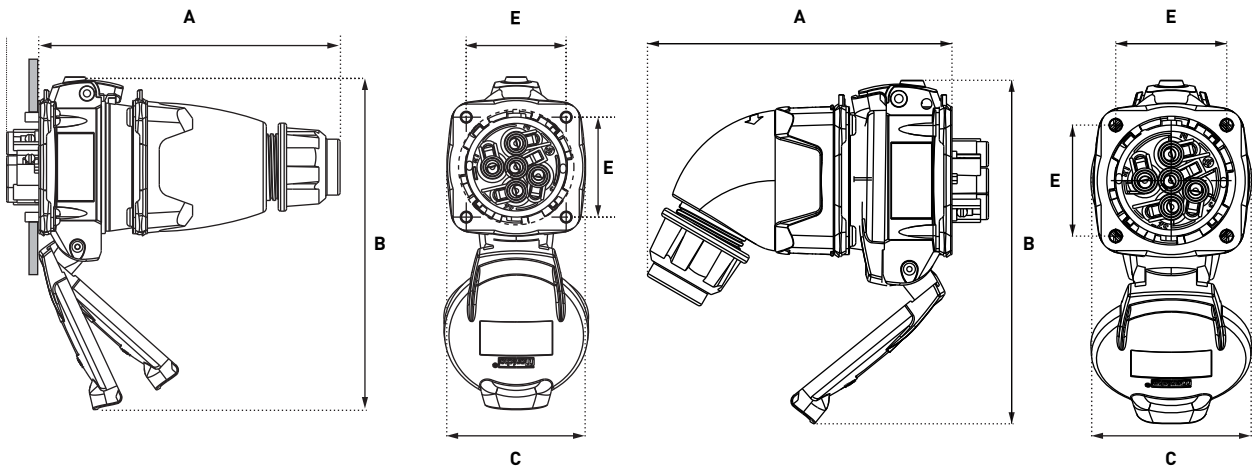
BOXES	$\angle x^\circ$	Input	Ref.
POLY BOX ●			
	0° (Straight)	M20	511B0M20
	0° (Straight)	M25	511B0M25
	30°	M20	511B3M20
	30°	M25	511B3M25
POLY BOX + POLY SLEEVE			
	70°	Without hole	511C7000
	70°	Hole Ø 20	511C7M20
	70°	Hole Ø 25	511C7M25
	70°	Hole Ø 32	511C7M32
Earth bar ref. : 51AA089			
METAL BOX (+ EARTHING WIRE) + POLY SLEEVE			
	30°	M20	511C3M20
METAL BOX (+ EARTHING WIRE) + METAL SLEEVE ●			
	45°	M20	591C4M20
	45°	M25	591C4M25
	45°	M32	591C4M32

Cable glands are not delivered with the boxes.

HANDLE	Input/ Cable outer Ø	Ref.
POLY HANDLE WITH GLAND ● ●		
	9-18 mm	511P0D18
	5-21 mm	511P0D21
	60°	9-18 mm
	60°	9-18 mm
POLY HANDLE + POLY CABLE GLAND ● ●		
	5-12 mm	511P020P
	9-18 mm	511P025P
	14-25 mm	511P032P
METAL HANDLE WITH METAL GLAND (+ EARTHING WIRE)		
	7-13 mm	591P020M
	8-16 mm	591P025M
	16-24 mm	591P032M
POLY HANDLE (WITHOUT CABLE GLAND) ●		
	M20	511P0M20
	M25	511P0M25
	M32	511P0M32
METAL HANDLE METRIC THREAD ENTRY (WITHOUT CABLE GLAND) ●		
	M20	591P0M20
	M25	591P0M25
	M32	591P0M32

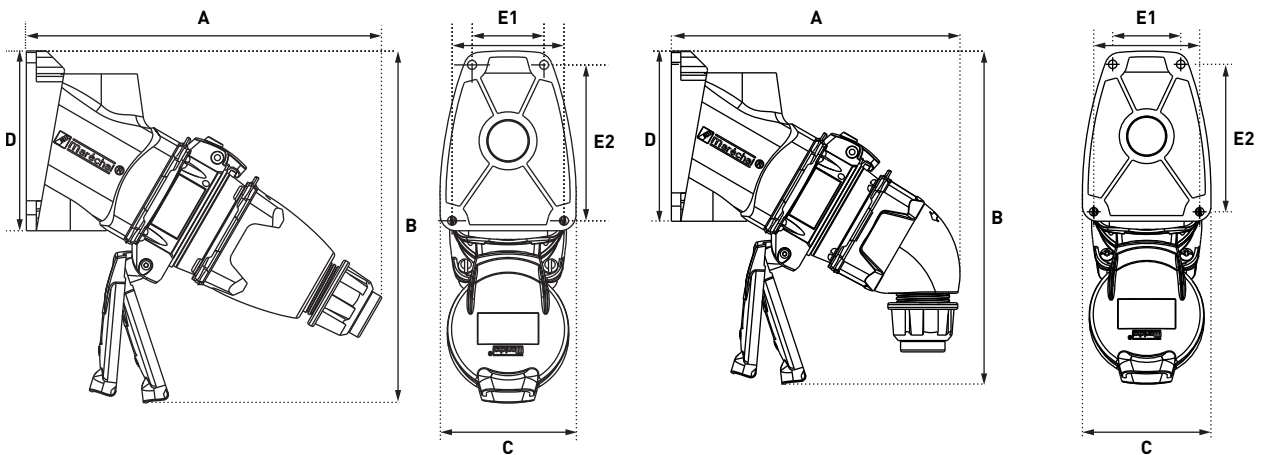
DRAWINGS AND DIMENSIONS

PLUG ON SOCKET-OUTLET



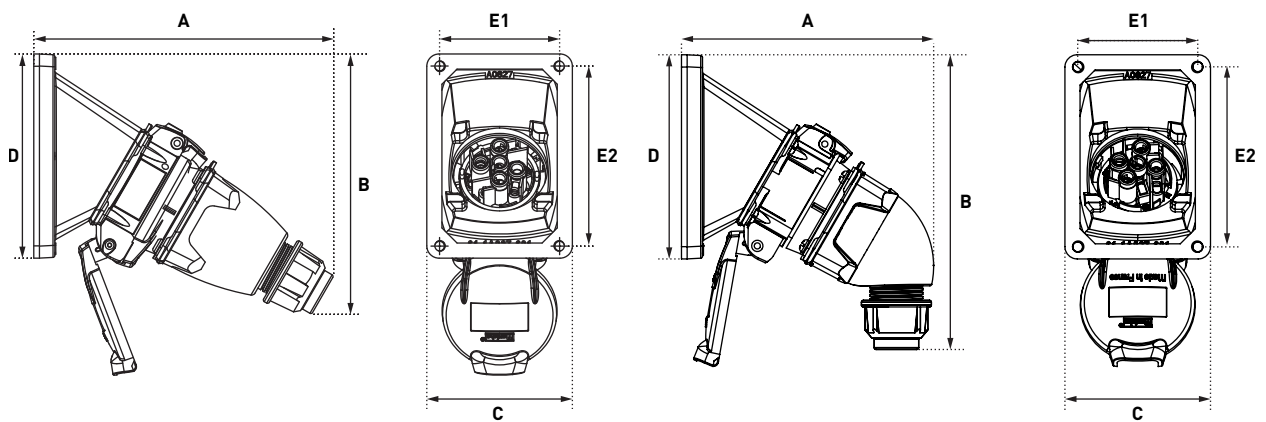
	A	B	C	E
Straight handle	127	140	58	42
Angled handle	117	138	61	42

PLUG ON 30° WALL MOUNTED SOCKET OUTLET



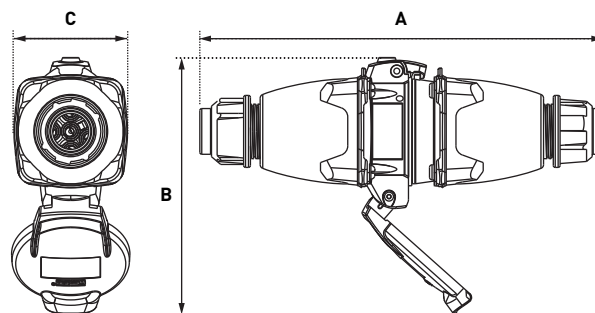
	A	B	B	D	E1	E2
Straight handle	178	176	68	90	36/56	78
Angled handle	153	176	68	90	36/56	78

PLUG ON 30° INCLINED SOCKET-OUTLET



	A	B	C	D	E1	E2
Straight handle	160	170	77	108	63	95
Angled handle	133	165	77	108	63	95

COUPLER



	A	B	C
Straight handle	208	132	58

12 CONTACTS

16 A

480 V
U_{MAXI}

MULTICONTACT CONNECTORS DSN12C



IP66
IP67
IP69



1-2,5 mm² (1)



GRP



IK09



-40 °C
+60 °C

(1) Flexible wiring (min.-max.).

OTHER FEATURES

Impulse withstand voltage	5 kV
Contact resistance	< 2 mΩ
Permitted current range	4-20 mA/16 A
∑ des courants (contacts)	≤ 110 A
Terminals wiring	To weld/crimp
Butt contacts	Silver-nickel tips
Contact protection	Silvering
Load cycles	> 5000 cycles
Vibrations	Frequency 5-1000 Hz, 1g/(90 minutes on each critical frequency) according to IEC 6068-2-6

SOCKET-OUTLET

female
DSN12C



INLET male
DSN12C



For a black colour housing replace the second reference character with 5.









480 V AC

12 contacts

61A4001

61A8001





► Each product is supplied with 1 bag of 13 contacts, supplied with insulation sleeves and ferrules (voir p. 142 or the accessories page for more details).




OPTIONS	Reference
LOCKING PIN FOR 2 PADLOCKS Ø 4 TO 8 mm (PADLOCK NOT SUPPLIED)	
	Ref. + 843
LARGER RELEASE BUTTON	
	Ref. socket + 453
IN-LINE CONNECTIONS (A PAIR OF FINGER DRAW PLATES TO AID CLOSING)	
	611A346
INLET CAP IP66/IP67	
	611A426
IP40 SELF RETURNING LID (MANUAL CLOSING)	
	Socket-outlet ref.+R
SELF-EJECTION	
	See page 192
BAG OF 13 FEMALES CONTACTS	
	01AA213
BAG OF 13 MALES CONTACTS	
	01AA113
PRODUCTS AVAILABLE IN BLACK ●	

The black dot means these products are also available in black color. Replace the second character of the product reference with 5






PRODUCT WITH ANTI-BACTERIAL TREATMENT ● NEW

This sticker means that the product is also available with an antibacterial treatment. Add the suffix AG to the reference. For more information on anti-bacterial treated handles please consult us.

SLEEVE	$\angle x^\circ$	Reference
POLY SLEEVE ●		
	30°	511M3
	70°	511M7
METAL SLEEVE		
	0° (Straight)	591M0
	30°	591M3

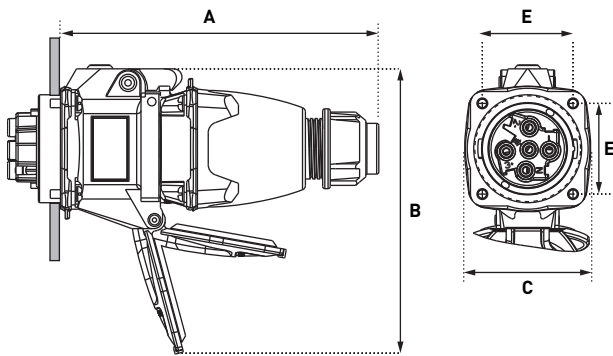
BOXES	$\angle x^\circ$	Input	Reference
POLY BOX ●			
	30°	M20	511B3M20
	30°	M25	511B3M25
POLY BOX + POLY SLEEVE (BLACK VERSION SEE ACCESSORIES DXN1 PAGE 239)			
	70°	Without hole	511C7000
	70°	Hole Ø 20	511C7M20
Earth bar ref. : 51AA089	70°	Hole Ø 25	511C7M25
	70°	Hole Ø 32	511C7M32
METAL BOX (+ EARTHING WIRE) + POLY SLEEVE			
	30°	M20	511C3M20

Cable glands are not delivered with the boxes.

HANDLE	Input/ Cable outer Ø	Reference	Self-ejection
POLY HANDLE WITH GLAND ●●			
	9-18 mm	511P0D18	/
	5-21 mm	511P0D21	/
 60°	9-18 mm	511P6D18	/
POLY HANDLE + POLY CABLE GLAND ●●			
	5-12 mm	511P020P	Ref. +443 (10-14 mm)
	9-18 mm	511P025P	Ref. +443 (12-18 mm)
	14-25 mm	511P032P	Ref. +443
POLY HANDLE (WITHOUT CABLE GLAND) ●			
	M20	511P0M20	/
	M25	511P0M25	/
	M32	511P0M32	/

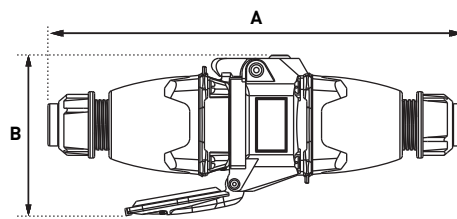
DRAWINGS AND DIMENSIONS

PLUG ON SOCKET-OUTLET



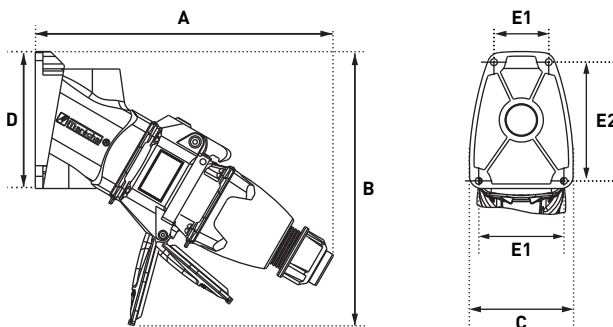
A	B	C	E
147	134	58	42

COUPLER



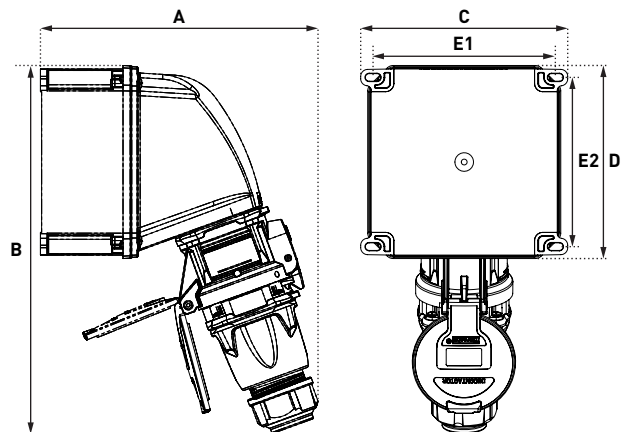
A	B
231	89

PLUG ON 30° WALL MOUNTED SOCKET OUTLET



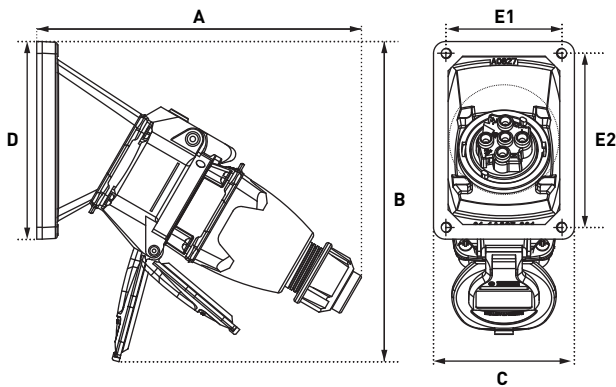
A	B	C	D	E1	E2
196	180	68	90	36/56	78

PLUG ON 70° WALL-MOUNTED SOCKET-OUTLET

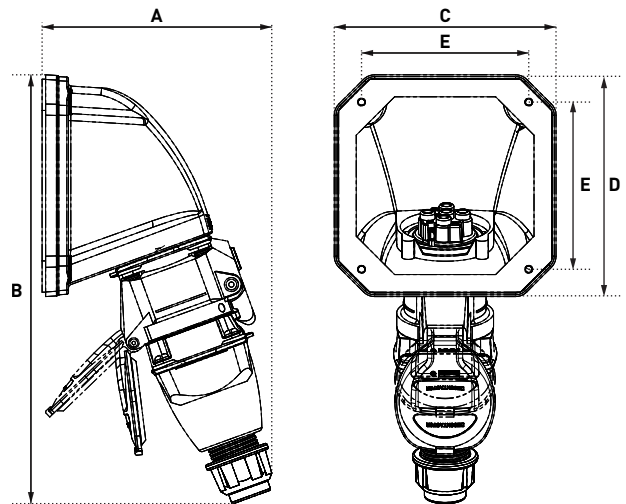


A	B	C	D	E1	E2
200	244	138	126	117	105.5

PLUG ON 30° INCLINED SOCKET-OUTLET

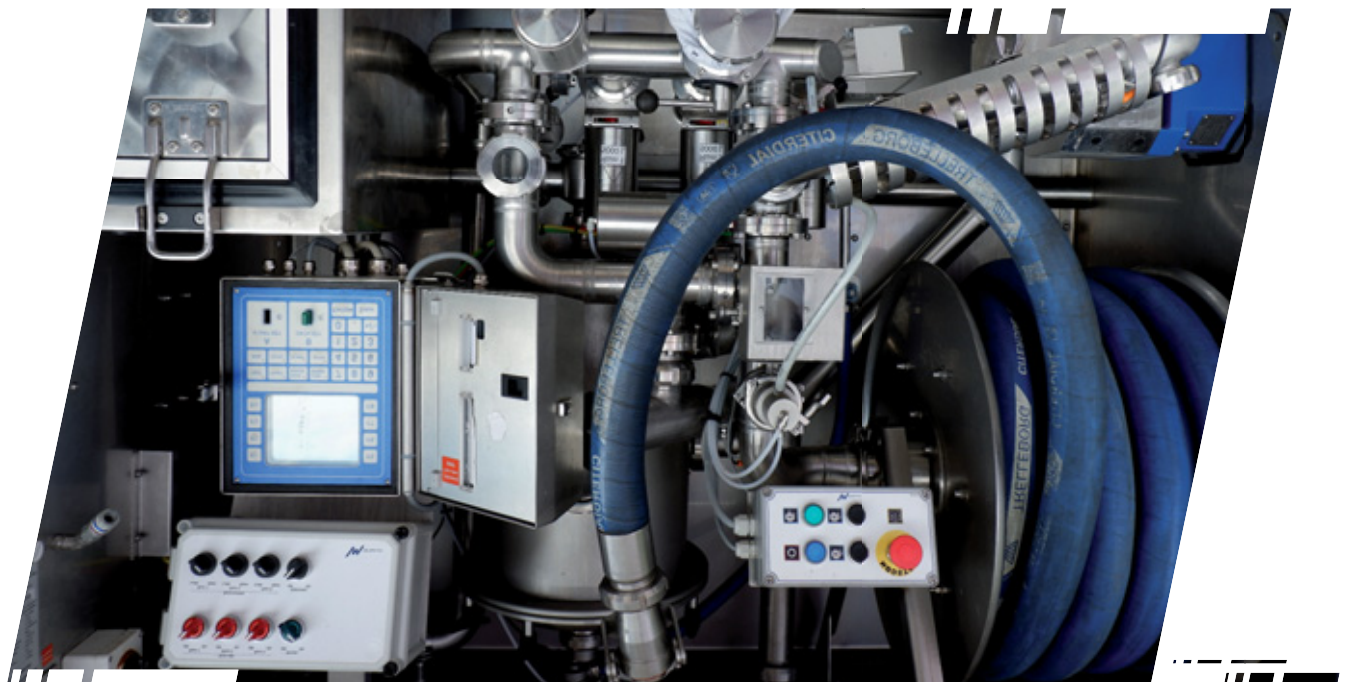


PLUG ON 70° INCLINED SOCKET-OUTLET



A	B	C	D	E1	E2
177	175	77	108	63.5	95

A	B	C	D	E
131	244	126	126	95



20 CONTACTS

25 A

415 V
U_{MAXI}

MULTICONTACT CONNECTORS DN20C



IP54
IP55



1-6 mm² ⁽¹⁾
1,5-10 mm² ⁽²⁾



METAL



IK09



-40 °C
+60 °C



EMC

[1] Flexible wiring (min.-max.).
[2] Stranded wiring (min.-max.).

OTHER FEATURES

IP protection plug connected	IP54
IP protection lid closed	IP55
∑ of currents (contacts)	≤ 350 A
Terminals wiring	screw-type

SOCKET-OUTLET
female
DN20c (25 A)



INLET male
DN20c (25 A)



415 V AC


19P+E


1964191

1968191



OPTIONS	Reference
LOCKING PIN FOR 3 PADLOCKS Ø 8 mm (PADLOCKS NOT SUPPLIED)	
	Ref. + 844
LARGER RELEASE BUTTON	
	Ref. socket + 453
INLET CAP	
	196A126
180° OPENING LID	
	Ref. socket + 10
IP40 SELF RETURNING LID (MANUAL CLOSING)	
	Socket-outlet ref.+R
180° OPENING + SELF-RETURNING LID	
	Ref. socket + 18
CLOSING MECHANISM	
	Draw lever only 196A376 Draw plate only 196A396
IP66/IP67 SOCKET-OUTLET AND INLET	
	Ref. + 600
ELECTROMAGNETIC COMPATIBILITY (EMC) ●	NEW
	Please order a metal threaded accessory herewith, together with a EMC cable gland to be found on page 318.
PRODUCT WITH ANTI-BACTERIAL TREATMENT ●	NEW
	This sticker means that the product is also available with an antibacterial treatment. Add the suffix AG to the reference. For more information on anti-bacterial treated handles please consult us.

HANDLE	Input/ Cable outer Ø	Reference
ELASTOMER HANDLE WITH GLAND		
	18-25 mm	555P0D25
	25-35 mm	555P0D35
	35-45 mm	555P0D45
	45-49 mm	555P0D49
POLY HANDLE + POLY CABLE GLAND ●		
	14-25 mm	515P032P
	18-32 mm	515P040P
	24-38 mm	515P050P
	35-48 mm	515P063P
METAL HANDLE WITH METAL GLAND (+ EARTHING WIRE)		
	16-24 mm	595P032M
	22-32 mm	595P040M
	34-44 mm	595P050M
	35-48 mm	595P063M
POLY HANDLE (WITHOUT CABLE GLAND)		
	M50	515P0M50
	M63	515P0M63



HANDLE	Input/ Cable outer Ø	Reference
METAL HANDLE METRIC THREAD ENTRY (WITHOUT CABLE GLAND) ●		
	M32	595P0M32
	M40	595P0M40
	M50	595P0M50
	M63	595P0M63

BOXES	∠x°	Input	Reference
METAL BOX (+ EARTHING WIRE) + POLY SLEEVE			
	30°	M32	515C3M32
	30°	M40	515C3M40
	30°	M50	515C3M50
	30°	M63	515C3M63

BOXES	∠x°	Input	Reference
METAL BOX (+ EARTHING WIRE) + METAL SLEEVE ●			
	30°	M32	595C3M32
	30°	M40	595C3M40
	30°	M50	595C3M50
	30°	M63	595C3M63
	0° (Straight)	M32	595C0M32
	0° (Straight)	M40	595C0M40
	0° (Straight)	M50	595C0M50
	0° (Straight)	M63	595C0M63
	70°	M32	595C7M32
	70°	M40	595C7M40
	70°	M50	595C7M50
	70°	M63	595C7M63

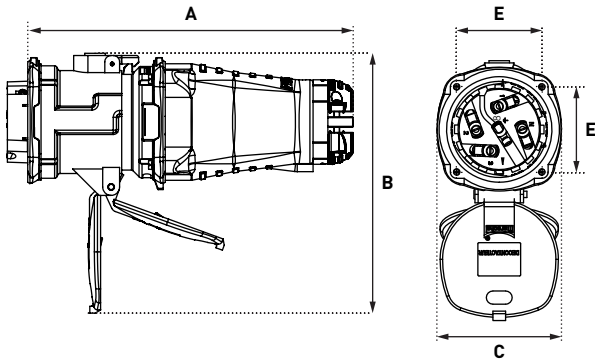
BOXES	∠x°	Input	Reference
METAL BOX (+ EARTHING WIRE) + METAL SLEEVE + CORNET ●			
	0° (Straight)	M50	595E0M50
	30°	M50	595E3M50
	30°	M63	595E3M63
	70°	M50	595E7M50
	70°	M63	595E7M63

Cable glands are not delivered with the boxes.

SLEEVE	∠x°	Reference
POLY SLEEVE		
	30°	515M3
METAL SLEEVE ●		
	0° (Straight)	595M0
	30°	595M3
	70°	595M7

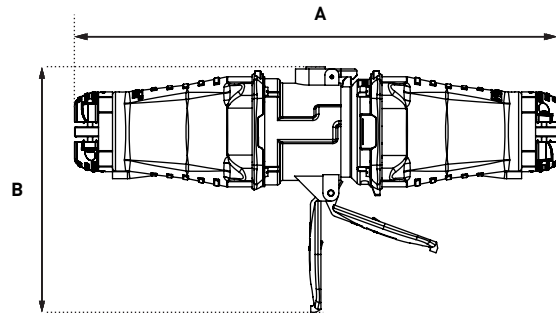
DRAWINGS AND DIMENSIONS

PLUG ON SOCKET-OUTLET



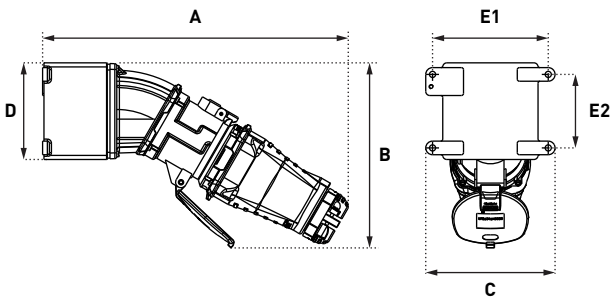
A	B	C	E
308	246	118	81

COUPLER



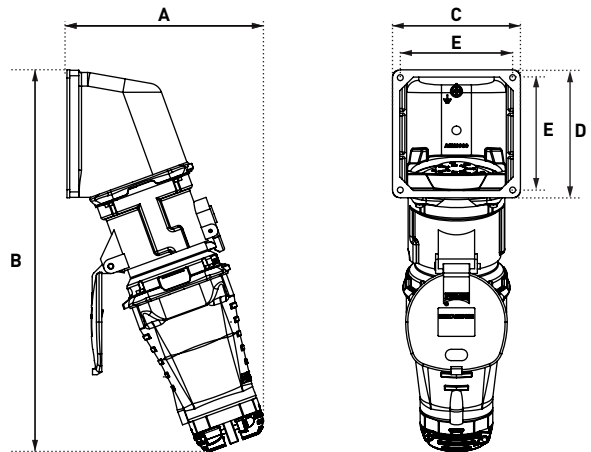
A	B
486	246

PLUG ON 30° WALL MOUNTED SOCKET OUTLET



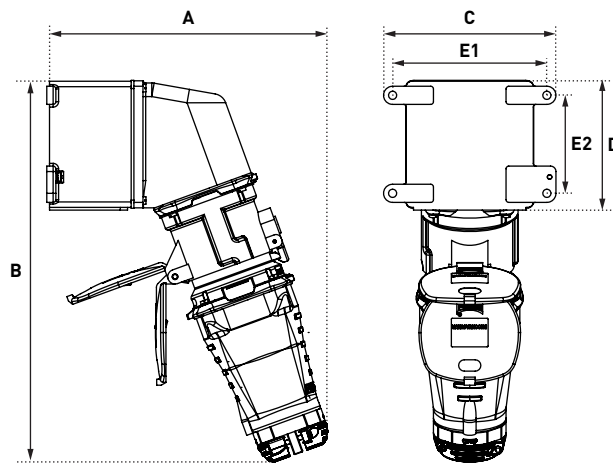
A	B	C	E1	E2
449	272	190	170	108

PLUG ON 70° INCLINED SOCKET OUTLET



A	B	C	D	E
217	421	141	141	124

PLUG ON 70° WALL MOUNTED SOCKET OUTLET



A	B	C	D	E1	E2
309	419	190	142	170	108

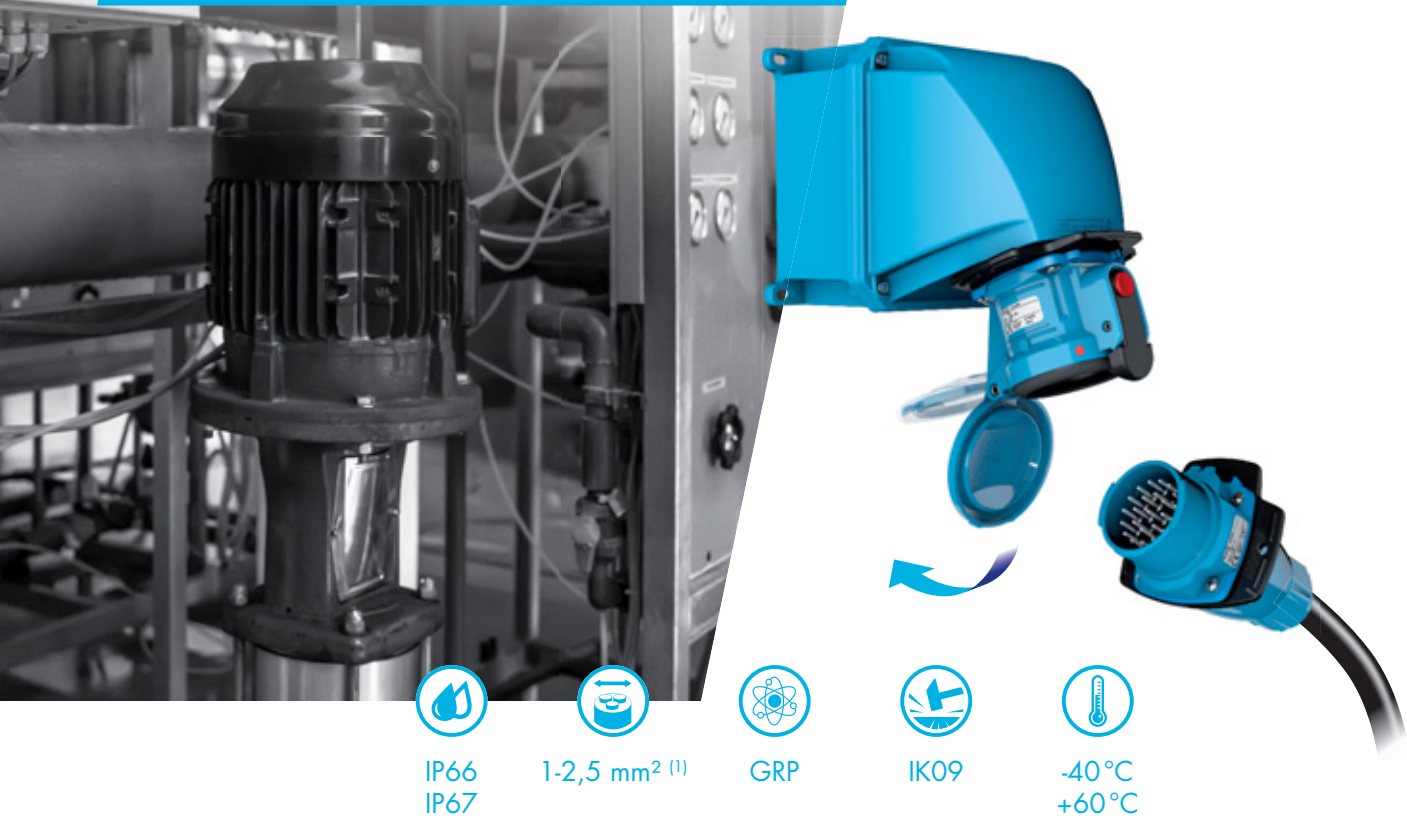


24 CONTACTS

16 A

480 V
U_{MAXI}

MULTICONTACT CONNECTORS DSN24C



IP66
IP67



1-2,5 mm² ⁽¹⁾



GRP



IK09



-40 °C
+60 °C

(1) Flexible wiring (min.-max.).

OTHER FEATURES

Impulse withstand voltage	5 kV
Contact resistance	< 2 mΩ
Permitted current range	4-20 mA/16 A
∑ of currents (contacts)	≤ 230 A
Terminals wiring	To weld/crimp
Butt contacts	Silver-nickel tips
Contact protection	Silvering
Load cycles	> 5000 cycles
Vibrations	Frequency 5-1000 Hz, 1g/(90 minutes on each critical frequency) according to IEC 6068-2-6

SOCKET-OUTLET

female
DSN24C



INLET male
DSN24C



For a black colour housing replace the second reference character with 5.








480 V AC

24 contacts

61B4002

61B8002

► Each product is supplied with 2 bags of 13 contacts, supplied with insulation sleeves and ferrules (voir p. 142 or the accessories page for more details).





OPTIONS	Reference
LOCKING PIN FOR 2 PADLOCKS Ø 4 TO 8 mm (PADLOCK NOT SUPPLIED)	
	Ref. + 843
LARGER RELEASE BUTTON	
	Ref. socket + 453
IN-LINE CONNECTIONS (A PAIR OF FINGER DRAW PLATES TO AID CLOSING)	
	613A346
INLET CAP IP66/IP67	
	613A426
IP40 SELF RETURNING LID (MANUAL CLOSING)	
	Socket-outlet ref.+R
BAG OF 13 FEMALES CONTACTS	
	01AA213
BAG OF 13 MALES CONTACTS	
	61CA113







PRODUCTS AVAILABLE IN BLACK ●

The black dot means these products are also available in black color. Replace the second character of the product reference with 5






PRODUCT WITH ANTI-BACTERIAL TREATMENT ●**NEW**

This sticker means that the product is also available with an antibacterial treatment. Add the suffix AG to the reference. For more information on anti-bacterial treated handles please consult us.

SLEEVE	$\angle x^\circ$	Reference
POLY SLEEVE ●		
	30°	512M3
	70°	512M7
METAL SLEEVE		
	0° (Straight)	592M0
	30°	592M3

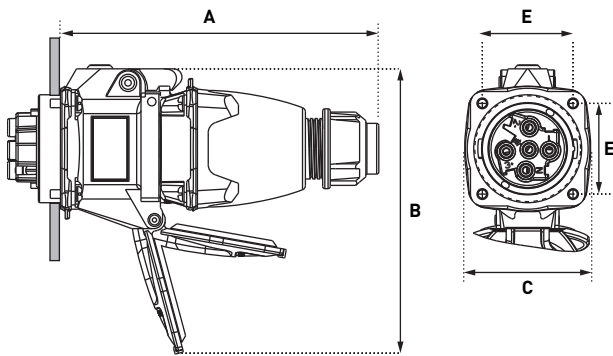
BOXES	$\angle x^\circ$	Input	Reference
POLY BOX ●			
	30°	M20	512B3M20
	30°	M25	512B3M25
METAL BOX (+ EARTHING WIRE)			
	20°	M20	592B2M20
	20°	M25	592B2M25
POLY BOX + POLY SLEEVE (BLACK VERSION SEE ACCESSORIES DXN3 PAGE 253)			
	70°	Without hole	512C7000
	70°	Ø 20 mm drill hole	512C7M20
	70°	Ø 25 mm drill hole	512C7M25
Earth bar ref. : 51AA089	70°	Ø 32 mm drill hole	512C7M32
	70°	Ø 40 mm drill hole	512C7M40
METAL BOX (+ EARTHING WIRE) + POLY SLEEVE			
	30°	M20	512C3M20
	30°	M25	512C3M25
	30°	M32	512C3M32
	30°	M40	512C3M40
METAL BOX (+ EARTHING WIRE) + METAL SLEEVE			
	30°	M20	592C3M20
	30°	M25	592C3M25
	30°	M32	592C3M32
	0° (Straight)	M20	592C0M20
	0° (Straight)	M25	592C0M25
	0° (Straight)	M32	592C0M32

Cable glands are not delivered with the boxes.

HANDLE	Input/ Cable outer Ø	Reference
POLY HANDLE WITH GLAND ●●		
	5-21 mm	512P0D21
POLY HANDLE + POLY CABLE GLAND ●●		
	5-12 mm	512P020P
	9-18 mm	512P025P
	14-25 mm	512P032P
	18-32 mm	512P040P
METAL HANDLE WITH METAL GLAND (+ EARTHING WIRE)		
	7-13 mm	592P020M
	8-16 mm	592P025M
	16-24 mm	592P032M
POLY HANDLE (WITHOUT CABLE GLAND) ●		
	M20	512P0M20
	M25	512P0M25
	M32	512P0M32
	M40	512P0M40
METAL HANDLE METRIC THREAD ENTRY (WITHOUT CABLE GLAND)		
	M20	592P0M20
	M25	592P0M25
	M32	592P0M32

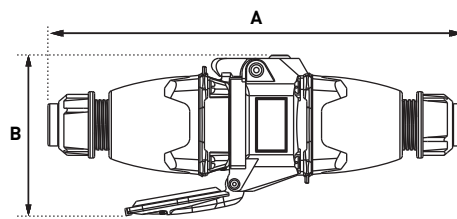
DRAWINGS AND DIMENSIONS

PLUG ON SOCKET-OUTLET



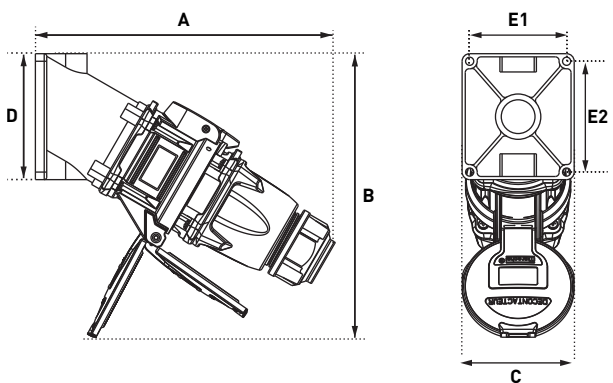
A	B	C	E
171	171	77	48

COUPLER



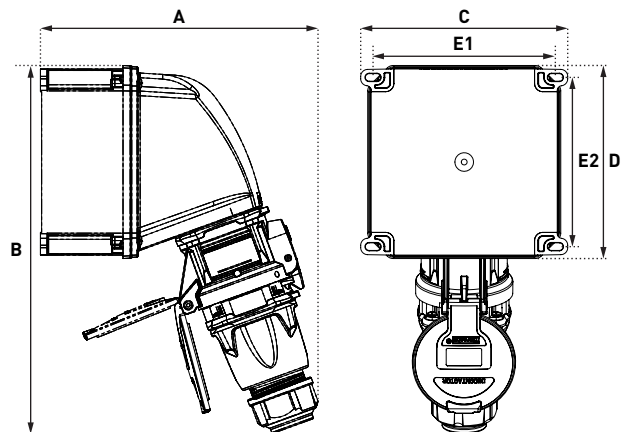
A	B
265	116

PLUG ON 30° WALL MOUNTED SOCKET OUTLET



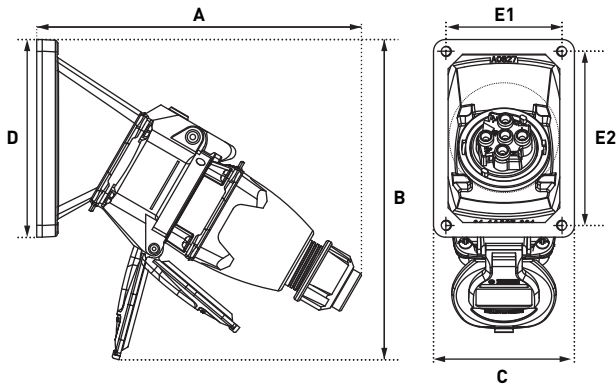
A	B	C	D	E1	E2
213	191	84	84	70	70

PLUG ON 70° WALL-MOUNTED SOCKET-OUTLET



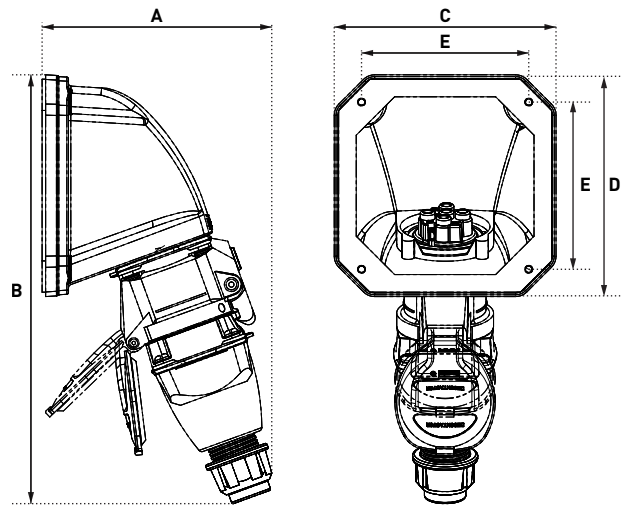
A	B	C	D	E1	E2
207	262	138	126	117	105.5

PLUG ON 30° INCLINED SOCKET-OUTLET



A	B	C	D	E1	E2
195	191	77	108	63	95

PLUG ON 70° INCLINED SOCKET-OUTLET



A	B	C	D	E
138	262	126	126	95

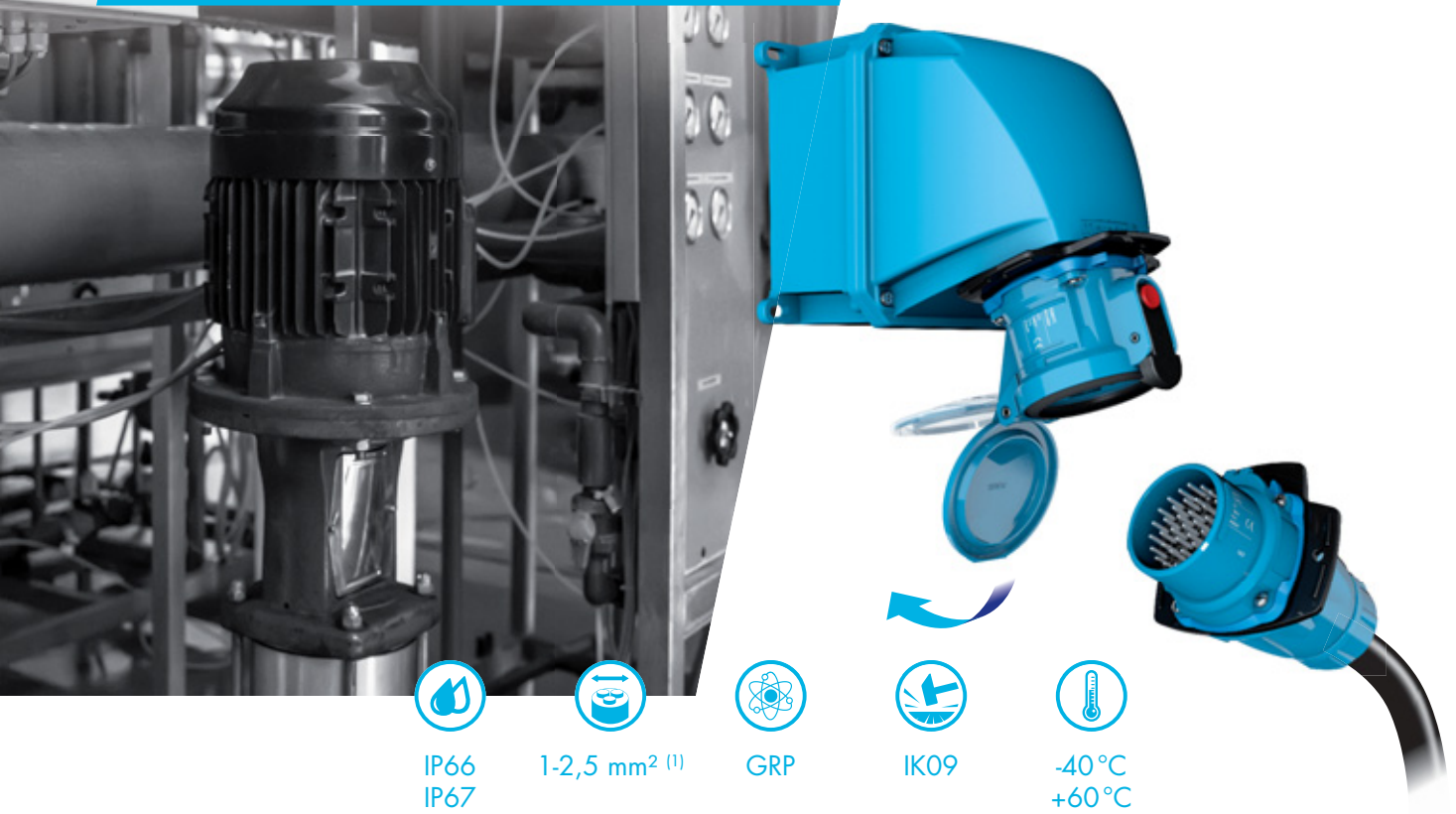


37 CONTACTS

16 A

480 V
U_{MAXI}

MULTICONTACT CONNECTORS DSN37C



IP66
IP67



1-2,5 mm² ⁽¹⁾



GRP



IK09



-40 °C
+60 °C

(1) Flexible wiring (min.-max.).



For metal versions,
contact us.

OTHER FEATURES

Impulse withstand voltage	5 kV
Contact resistance	< 2 mΩ
Permitted current range	4-20 mA/16 A
∑ of currents (contacts)	≤ 360 A
Terminals wiring	To weld/crimp
Butt contacts	Silver-nickel tips
Contact protection	Silvering
Load cycles	> 5000 cycles
Vibrations	Frequency 5-1000 Hz, 1g/(90 minutes on each critical frequency) according to IEC 6068-2-6

SOCKET-OUTLET

female
DSN37C



INLET male
DSN37C












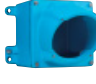


For a black colour
housing replace the second
reference character with 5.

480 V AC	37 contacts	61C4003	61C8003
----------	-------------	---------	---------






► Each product is supplied with 3 bags of 13 contacts, supplied with insulation sleeves and ferrules (voir p. 142 or the accessories page for more details).

OPTIONS	Reference
LOCKING PIN FOR 2 PADLOCKS Ø 4 TO 8 mm (PADLOCK NOT SUPPLIED)	
	Ref. + 843
LARGER RELEASE BUTTON	
	Ref. socket + 453
IN-LINE CONNECTIONS (A PAIR OF FINGER DRAW PLATES)	
	616A346
INLET CAP IP66/IP67	
	616A426
IP40 SELF RETURNING LID (MANUAL CLOSING)	
	Socket-outlet ref.+R
REVERSED INTERIOR AND CONTACTS	
	Ref. conn. + 001 Ref. socket + 001
BAG OF 13 FEMALES CONTACTS	
	01AA213
BAG OF 13 MALES CONTACTS	
	61CA113
PRODUCTS AVAILABLE IN BLACK ●	
The black dot means these products are also available in black color. Replace the second character of the product reference with 5	
PRODUCT WITH ANTI-BACTERIAL TREATMENT ●	NEW
This sticker means that the product is also available with an antibacterial treatment. Add the suffix AG to the reference. For more information on anti-bacterial treated handles please consult us.	

SLEEVE	x°	Reference
POLY SLEEVE ●		
	30°	513M3
	70°	513M7
METAL SLEEVE		
	0° (Straight)	593M0
	30°	593M3
	70°	593M7

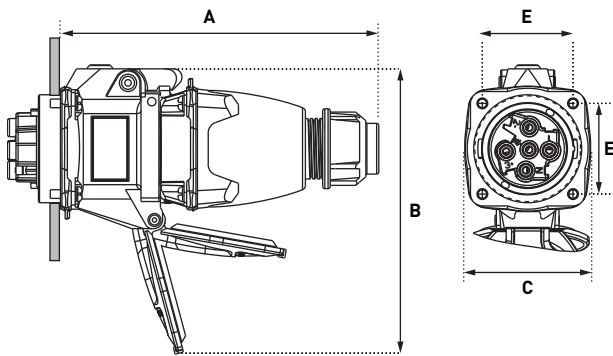
BOÎTIERS	x°	Input	Reference
POLY BOX ●			
	30°	M25	513B3M25
METAL BOX (+ EARTHING WIRE)			
	20°	M20	593B2M20
	20°	M25	593B2M25
	20°	M32	593B2M32
POLY BOX + POLY SLEEVE (BLACK VERSION SEE ACCESSORIES DXN6 PAGE 259)			
	70°	Without hole	513C7000
	70°	Ø 25 mm drill hole	513C7M25
Earth bar ref. : 51AA089	70°	Ø 32 mm drill hole	513C7M32
	70°	Ø 40 mm drill hole	513C7M40
METAL BOX (+ EARTHING WIRE) + POLY SLEEVE			
	30°	M20	513C3M20
	30°	M25	513C3M25
	30°	M32	513C3M32
	30°	M40	513C3M40
METAL BOX (+ EARTHING WIRE) + METAL SLEEVE			
	30°	M20	593C3M20
	30°	M25	593C3M25
	30°	M32	593C3M32
	30°	M40	593C3M40
	0° (Straight)	M20	593C0M20
	0° (Straight)	M25	593C0M25
	0° (Straight)	M32	593C0M32
	0° (Straight)	M40	593C0M40
	70°	M20	593C7M20
	70°	M25	593C7M25
	70°	M32	593C7M32
	70°	M40	593C7M40

Cable glands are not delivered with the boxes.

HANDLE	Input/ Cable outer Ø	Reference
POLY HANDLE WITH GLAND ●●		
	10-30 mm	513P0D30
POLY HANDLE + POLY CABLE GLAND ●●		
	9-18 mm	513P025P
	14-25 mm	513P032P
	18-32 mm	513P040P
METAL HANDLE WITH METAL GLAND (+ EARTHING WIRE)		
	7-13 mm	593P020M
	8-16 mm	593P025M
	16-24 mm	593P032M
	22-32 mm	593P040M
POLY HANDLE (WITHOUT CABLE GLAND) ●		
	M20	513P0M20
	M25	513P0M25
	M32	513P0M32
	M40	513P0M40
METAL HANDLE METRIC THREAD ENTRY (WITHOUT CABLE GLAND)		
	M20	593P0M20
	M25	593P0M25
	M32	593P0M32
	M40	593P0M40

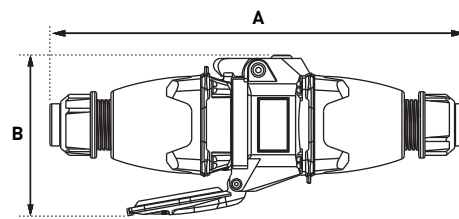
DRAWINGS AND DIMENSIONS

PLUG ON SOCKET-OUTLET



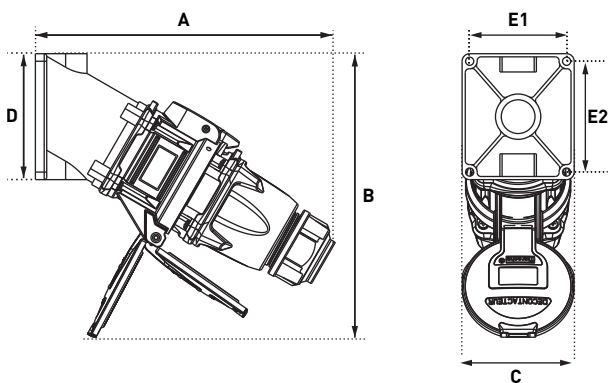
A	B	C	E
184	195	84	55

COUPLER



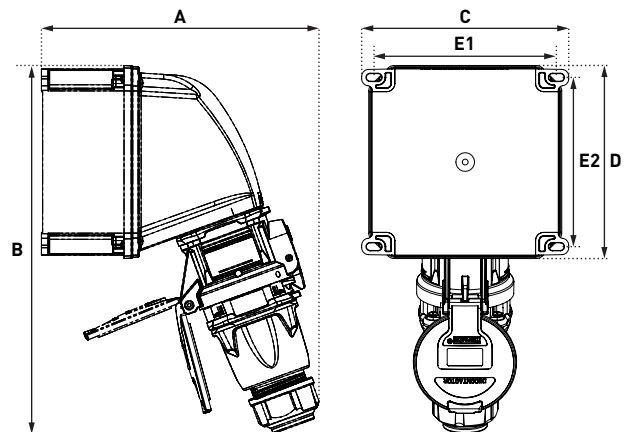
A	B
286	122

PLUG ON 30° WALL MOUNTED SOCKET OUTLET



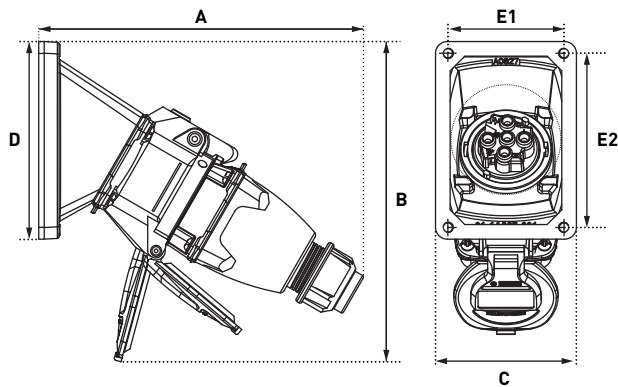
A	B	C	D	E1	E2
238	225	89	100	77	88

PLUG ON 70° WALL-MOUNTED SOCKET-OUTLET



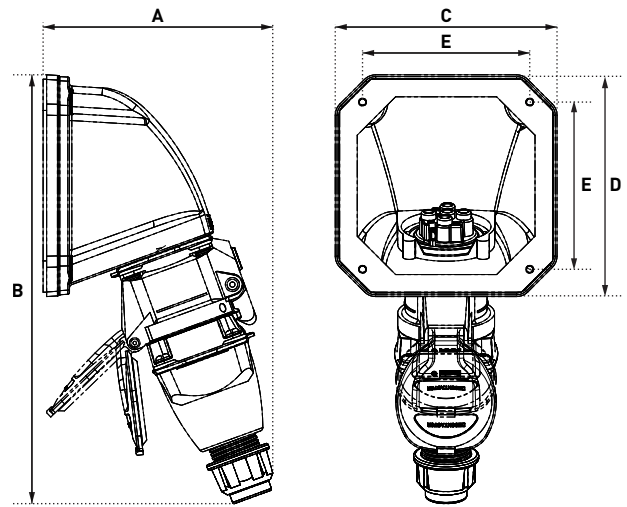
A	B	C	D	E1	E2
239	317	178	166	157	146

PLUG ON 30° INCLINED SOCKET-OUTLET



A	B	C	D	E1	E2
212	219	77	108	63	95

PLUG ON 70° INCLINED SOCKET-OUTLET



A	B	C	D	E
170	317	166	166	135

